

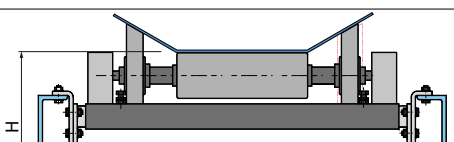
Contact Information

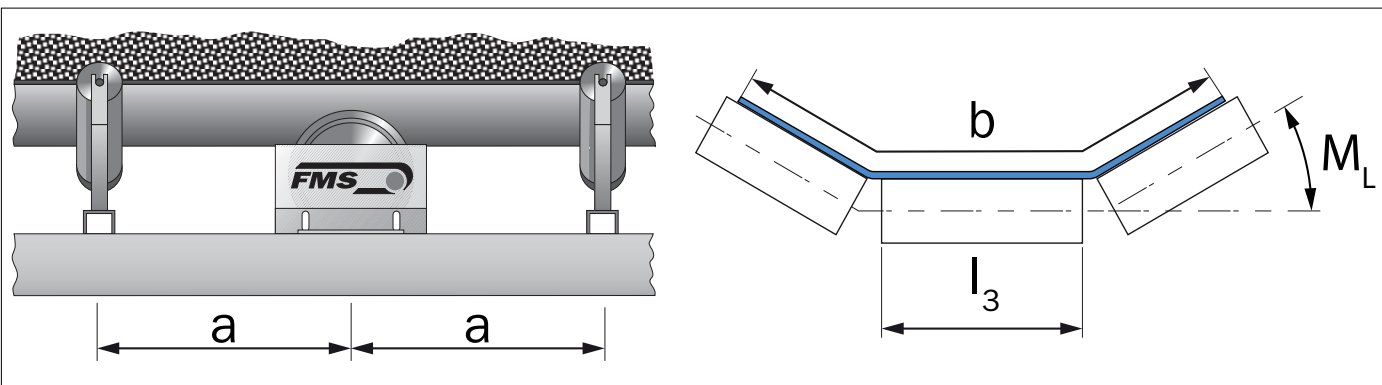
Company	Project
Name, first name	Tel.
Email	

Customer Reference

End customer	Project No.
Type of material	Grain size

Measuring Roll

Min. flow rate Q	t/h	Max. flow rate Q	t/h
Min. belt speed v	m/sec	Max. belt speed v	m/sec
Distance of idler stations a	m	Flat or troughed belt	
Troughing angle M_L	°	Belt inclination	°
Belt type or weight per m^2	kg/ m^2	Width of center roll l_3	mm
Belt width b	mm	Distance of upper to lower belt H	mm
		Distance supporting frame B	mm
		Belt tensioning device	
		Measurement uncertainty	%



Electronics BMGZ700

Power supply	24 (18 bis 36)	VDC	PROFINET interface
Type of housing	Calibratable		
Cable length roll-electronics	m		

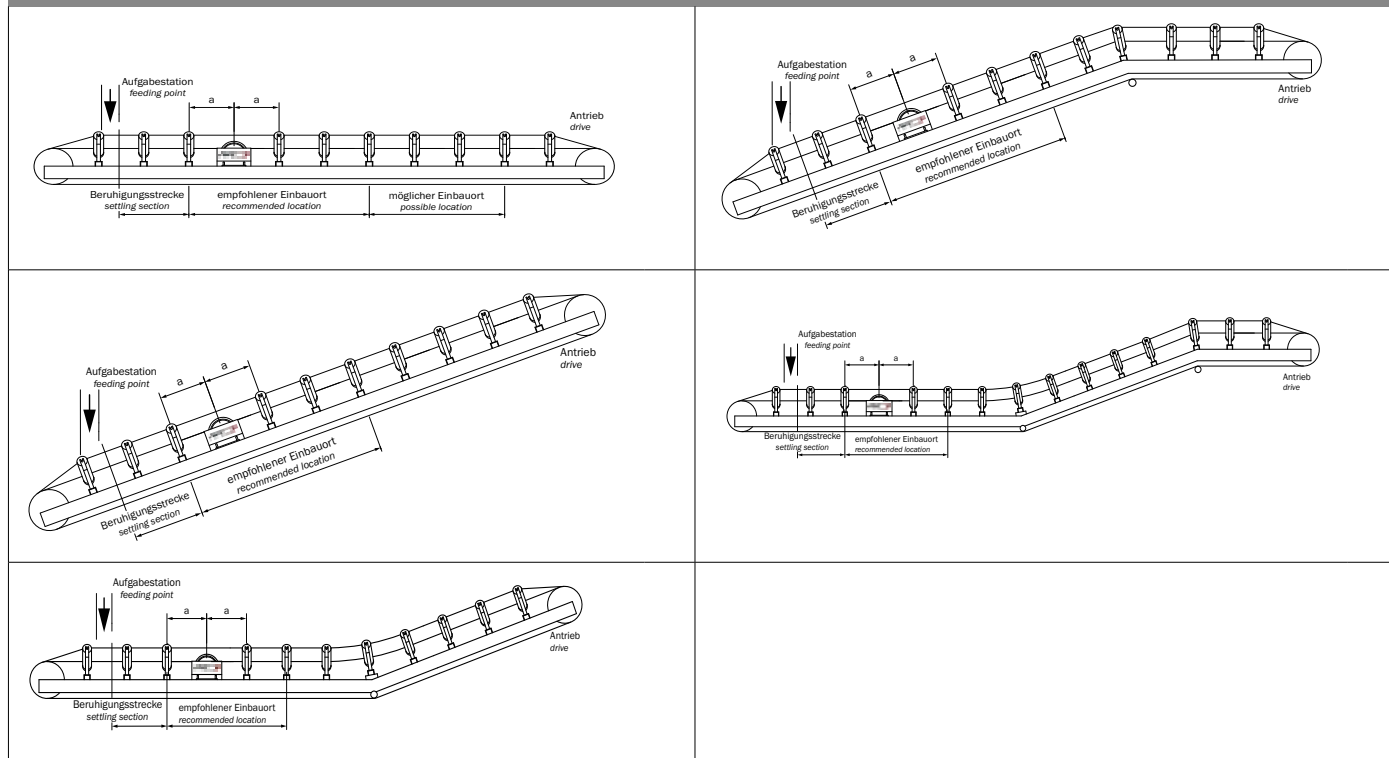
Related Products

Cables	Connectors
--------	------------

Contact Information

Company	Project
Name, first name	Tel.
Email	

Belt type and possible installation locations



If possible, please provide a picture, drawing or sketch of the conveyor belt with possible installation locations of the measuring roller and the electronics. Thank you!