

FMS Web Guiding / FMS winderGLIDE

## **BKS.D.4 FMS winderGLIDE Actuator with 1'250 N Thrust**

- **1'250 N (281 lbf) Thrust:**  
Powerful, compact design
- **Fast stepper motor, backlash-free ball screw:**  
Precise, robust and maintenance free
- **125 mm (4.9 in.) and 200 mm (9.8 in.) stroke:**  
Wide correction range
- **Versatile Mounting Options:**  
Perfect for New or Retrofit Applications

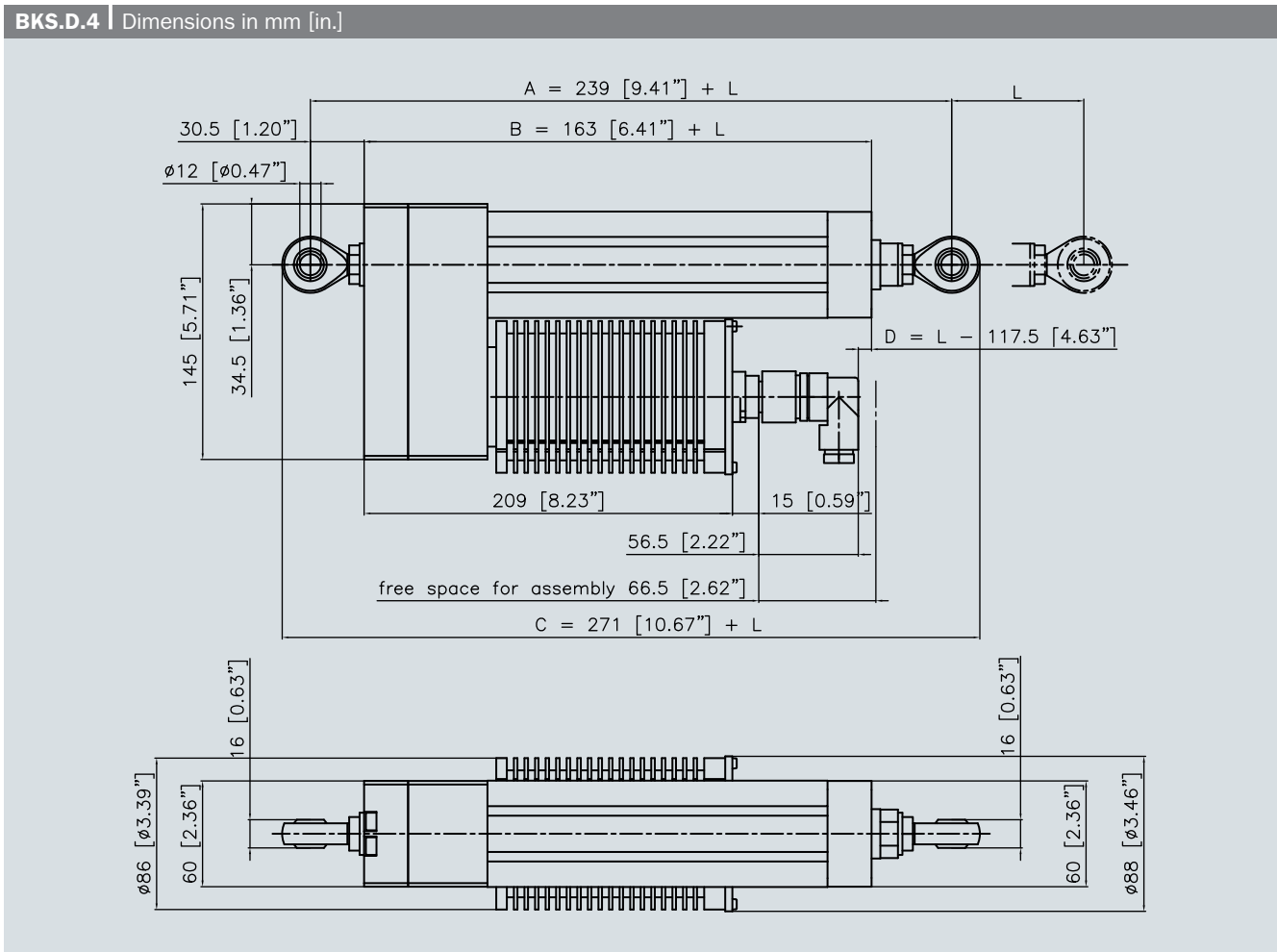


### **FMS winderGLIDE BKS.D.4**

The actuators of the FMS winderGLIDE series are specifically designed for use in winding and unwinding applications where lateral web adjustment is required. The compact size and flexible mounting options provides for straightforward integration in most applications. As there are no fluids to leak from the FMS winderGLIDE series of actuators, they are perfect for use in the food or pharmaceutical packaging industries where contamination cannot be tolerated.

### **Functional description**

FMS winderGLIDE actuators incorporate a backlash-free ball screw that is driven by a powerful and fast stepper motor. These design features provides precise web correction. For ease of installation there is only a single cable, providing both power and control functions, that connects the actuator to the web guide controller. Parameters within the controller including movement speed, retracted position, center position, extended position, etc. allow for the actuator operation to be finely tuned to suit the requirements of each application.



**BKS.D.4** | Dimensions in mm [in.]

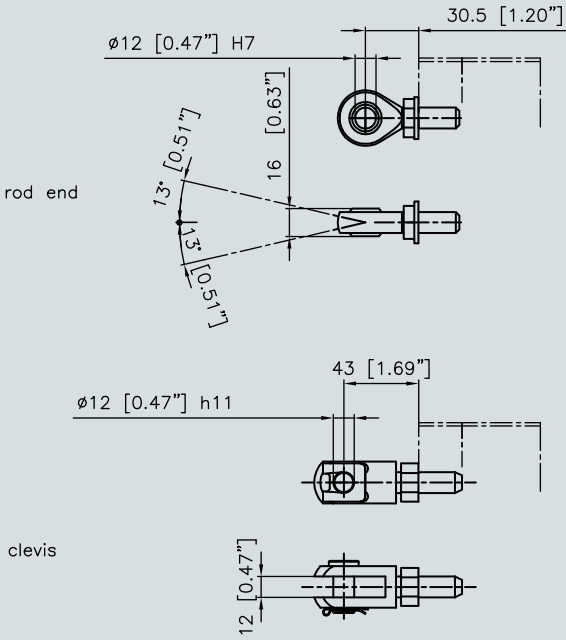
<b>Strokes L</b>	125 (4.9)	200 (9.8)
<b>A Centers of rod ends, fully retracted</b>	364 (14.3)	439 (17.3)
<b>B Total length main body</b>	288 (11.3)	363 (14.3)
<b>C Overall length, fully retracted</b>	396 (15.6)	471 (18.5)

**BKS.D.4** | Technical data

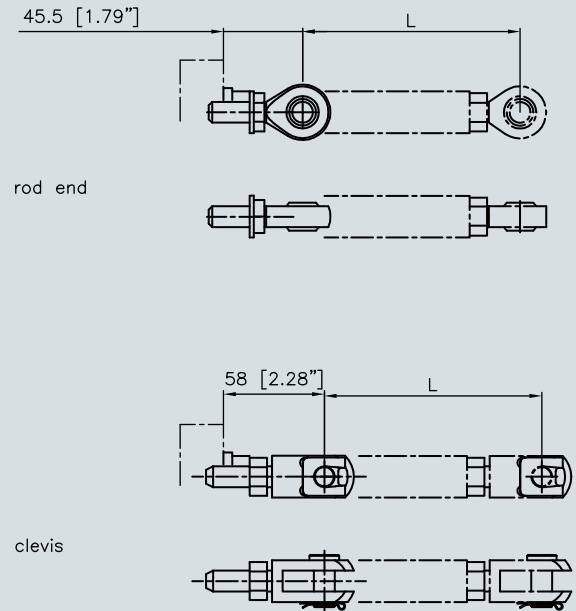
<b>Max. thrust</b>	1'250 N (281 lbf)
<b>Max. movement speed</b>	25 mm/s (0.98 in/s)
<b>Drive train</b>	Stepper motor, 16 mm ball screw with 5 mm pitch
<b>Temperature range</b>	-10 to +50 °C (14 to 122 °F)
<b>IP protection rating</b>	IP42
<b>Control accuracy</b>	< ±0.1 mm
<b>Power consumption</b>	Max. 110 W, from BKS309 controller
<b>Stroke limiter, distance measurement</b>	Potentiometer

**BKS.D.4** | Installation accessories

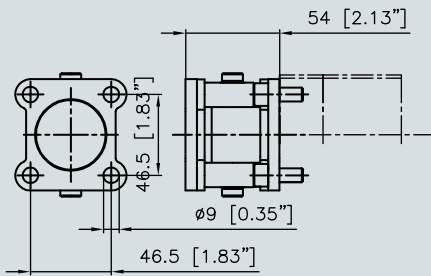
joint static end



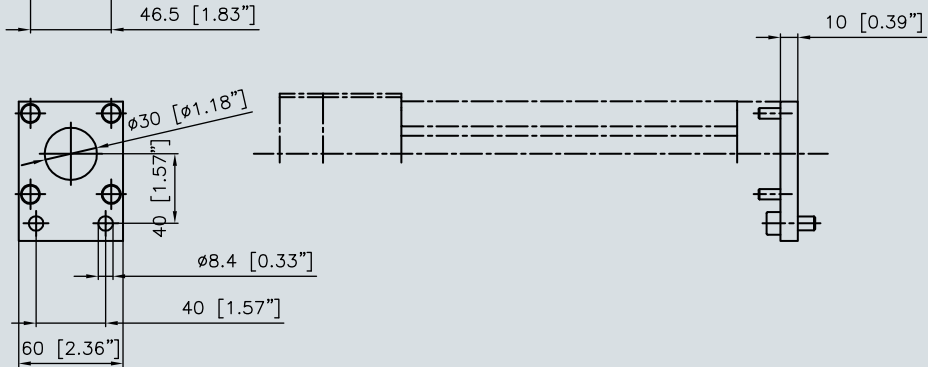
joint moving end



hinge



flange



BKS.D.4   Order code	
<b>BKS. D.4</b>	<b>125</b>
	Stroke in mm (125 or 200)
	Size
Series	

BKS.D.4   Accessories	
<b>Web guiding controller</b>	BKS309
<b>Material sensors</b>	ultrasonic, optical, line
<b>Installation accessories</b>	see next page

BKS.D.4   Scope of supply	
<ul style="list-style-type: none"> <li>• Actuator, two spherical rod ends</li> <li>• Installation manual</li> </ul>	

BKS.D.4   Not included in scope of supply	
<ul style="list-style-type: none"> <li>• Web guiding controller</li> <li>• Installation material</li> <li>• Material sensor</li> <li>• Connecting cable to web guiding controller</li> </ul>	

**Other Products | Web Guiding**

Steering frames, steering rollers	Web guiding controllers	Material sensors
		

**FMS winderGLIDE BKS.D.3 | Typical application**



**FMS Force Measuring Systems AG**

FMS Force Measuring Systems AG is a worldwide market leader in the fields of tension measurement/control, web guiding, and specialized telemetry technologies. Our standard and custom solutions are applied in the converting, metals, paper, textile and wire & cable industries. FMS Force Measuring Systems AG's advanced technology, high quality components and extensive application knowledge supports customers around the world in maximizing productivity. Since 1993 our highly skilled workforce has crafted superior solutions and set the benchmark in the industry.