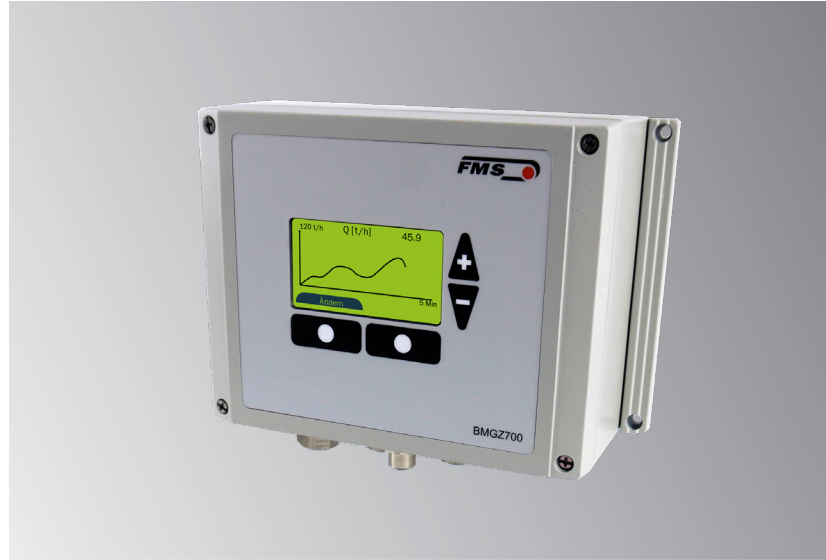


FMS Belt Scales / Electronics Unit

BMGZ710-Series Robust electronics for belt scales

- Robust design, IP65**
 Heavy aluminium housing with resistant display and controls
- Intuitive operation and configuration, best visibility**
 Graphical display, auto tare function, calibration via integrated calculation
- Simple Configuration**
 Integrated web browser



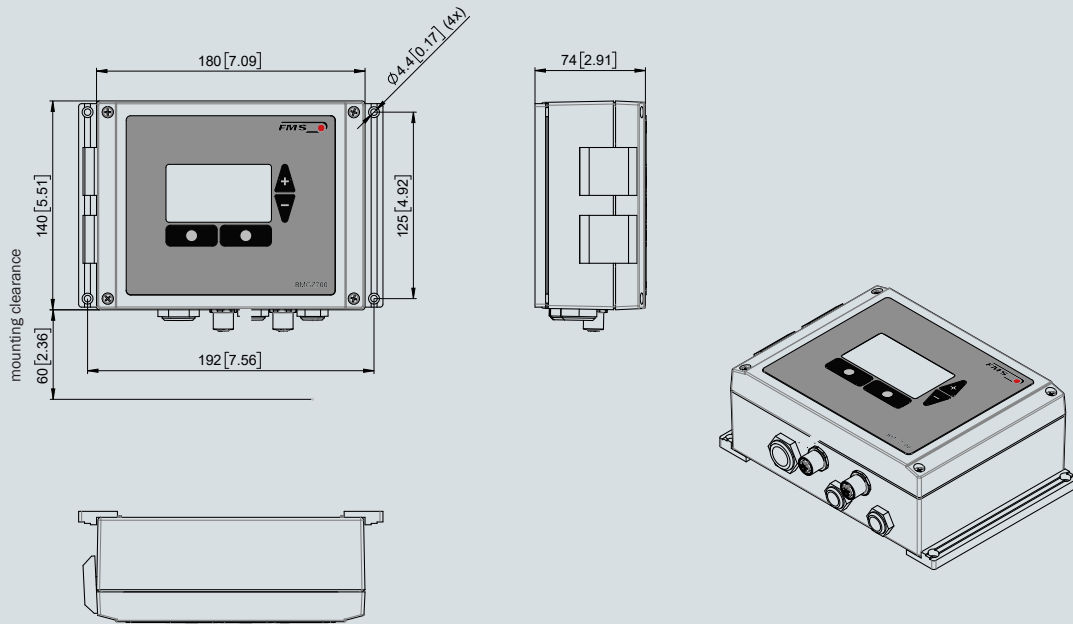
BMGZ710-Series

The electronics of the BMGZ710-series has been designed for the demanding applications of mobile and stationary conveying systems. The illuminated, graphical display indicates the actual performance, daily amount, total amount and belt speed. Configurable analog and digital outputs are available to connect additional displays or controllers. The factory-provided integrated web browser allows for quick configuration of the electronics via a regular laptop or pc and can even grant remote access to the system.

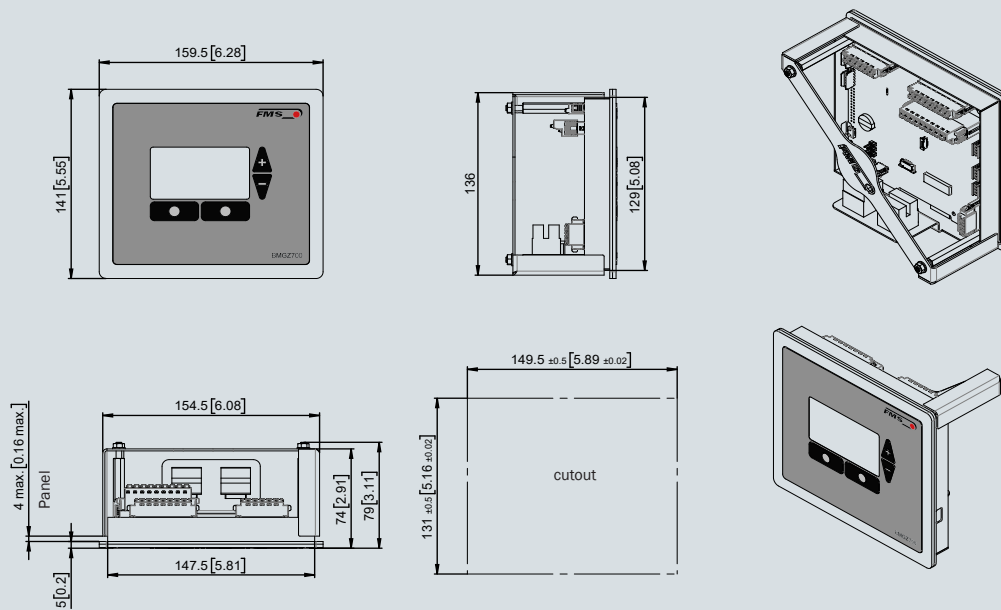
Functional description

The electronics of the BMGZ710-series converts and digitalizes the signals of the measuring roller. The electronics subtracts the weight of the measuring roller and the belt (tare) from the actual reading and multiplies the result with the belt speed. The BMGZ710-series features an auto tare function which allows automatic evaluation of the tare value during two turns of the belt.

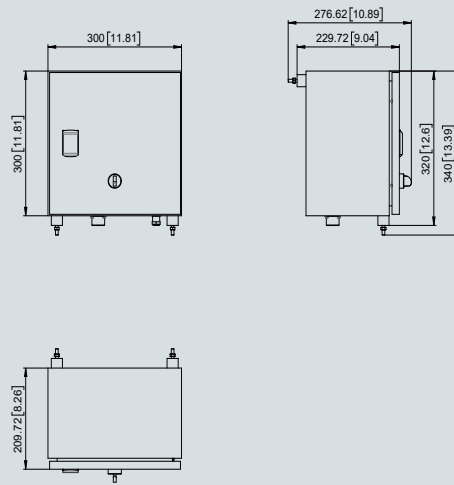
BMGZ710.W Wall mount housing (IP65) : Dimensions mm (in.)



BMGZ710.S for panel mount (IP65 when installed) : Dimensions mm (in.)



BMGZ710.K Integrated in steel cabinet (IP65) : Dimensions mm (in.)



additional, mechanical protection,
 e.g. if used in mobile crushers

BMGZ710 : Technical data

Accuracy class electronics	0.05 %
Number of channels	1, for one measuring roller
Displayed values	total amount [t], daily amount or batch [t], actual performance [t/h], belt speed [m/s] as absolute value or histogram
Daily amount, batch counter	0 to 1,000 t (resolution 5 kg); 1,000 to 10,000 t (resolution 10 kg); 10,000 to 100,000 t (resolution 100 kg); 100,000 to 1,000,000 t (resolution 1000 kg)
Operation and display	4 buttons, graphical, illuminated 128 x 64 px STN LCD, alternatively via web browser
Total amount	0 to 1 Mio. t (resolution 1000 kg)
Digital outputs	Tare active, 24 VDC, max. 100 mA; Belt scale o.k., 24 VDC, max. 100 mA; Remote counter, impulse 1 to 1000 ms, 24 VDC, max. 100 mA; Reset remote counter, 24 VDC, max. 100 mA
Digital inputs	start tare procedure, production batch active, speed probe
Analogue output	Current output: 0/4 to 20 mA, min. 500 Ω or power output: 1 to 10 VDC, min. 1000 Ω
Cycle time	1 ms
Temperature range	-10 to +50 °C (14 to 122 F)
Power supply	24 (18 to 36) VDC
Power consumption	5 W
Weight	1.5 kg (2.2 lbs.)

BMGZ710 : Order code

BMGZ710.W

_____ Housing (.W wall mount; .S. panel mount; K. in cabinet)
 _____ Additional functionality (none)
 _____ Variation (1: Single-channel; 5: calabratable)
 _____ Series

BMGZ710 : Scope of supply

- electronics unit
- 15 m (49 ft) connecting cable to measuring roll (other lengths on request)
- measuring roll (separate order code)

BMGZ710 : Typical application



Other products : Construction and recycling

BMGZ041 Troughed measuring roll



BMGZ021 Flat measuring roll



About FMS

FMS Force Measuring Systems AG is the market leader in the field of web tension measurement, control and specialist for web guiding solutions. For the wire industry we are the only manufacturer offering a complete range of technologies for force measurement, data processing and radio transmission of signals.

Our in house developed products are used in the manufacturing industry, converting, metals, paper, textiles, as well as in cable and wire rope production. Utilising the latest technology, high quality components and a firm understanding of customer applications, FMS supports customers worldwide in the effort to maximize the productivity of their machines. Since 1993, our highly qualified employees have been creating high-end solutions for machine builders and plant operators. As an owner-managed company, we pride ourselves on being personal and approachable with the ability to make decisive moves fast. FMS also very successfully develops and produces robust belt scales for all kinds of bulk materials.

World Headquarters: FMS Force Measuring Systems AG

Aspstrasse 6 • 8154 Oberglatt (Switzerland) • Phone + 41 44 852 80 80 • Fax + 41 44 850 60 06
 info@fms-technology.com • www.fms-technology.com